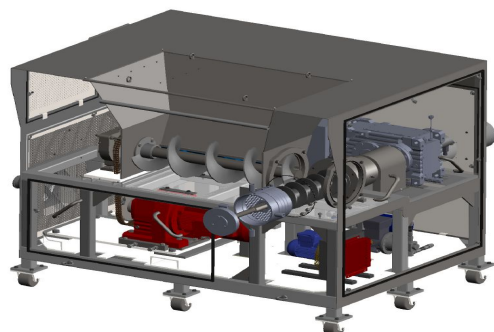
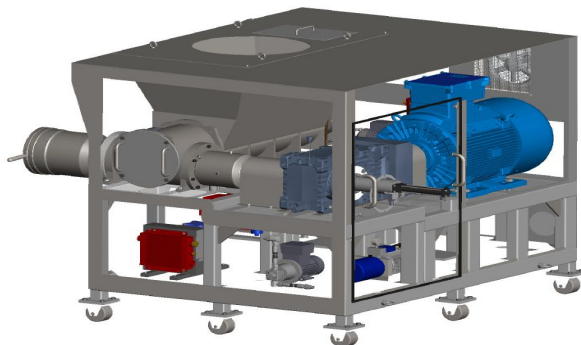
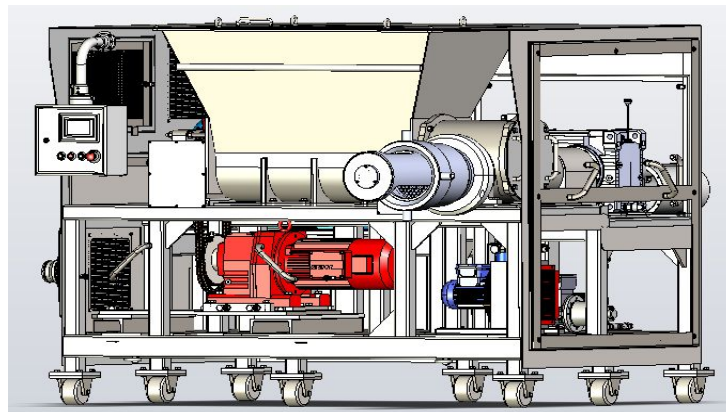


GRANU 300

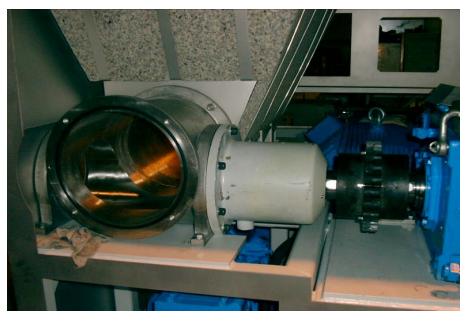
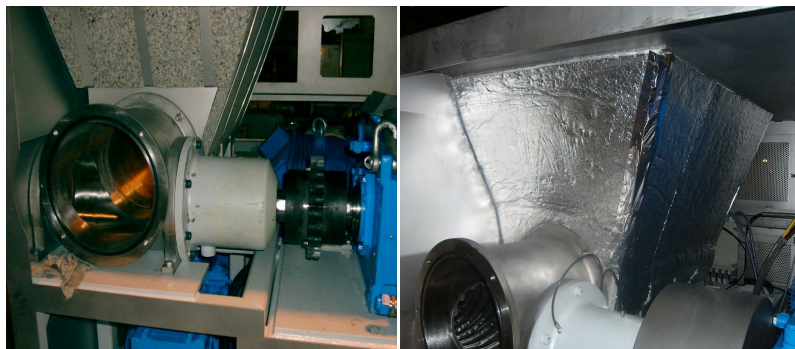
Heavy Duty Granulation Machines

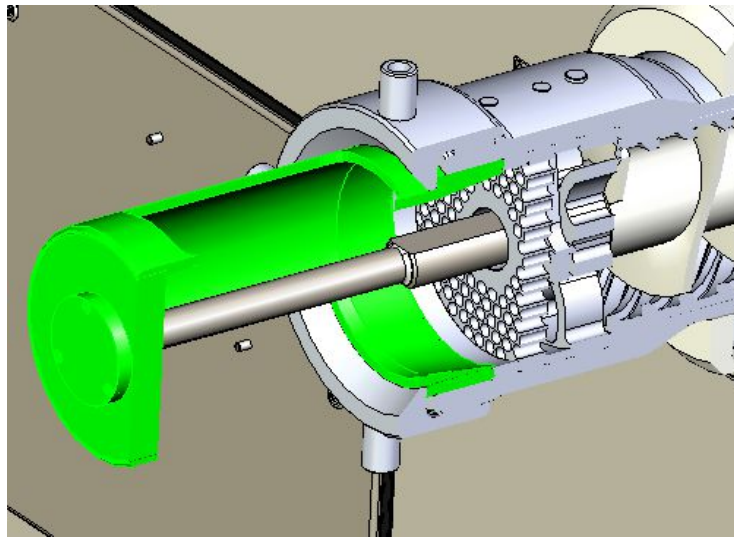
up to 12t/h for 24 / 7 / 360



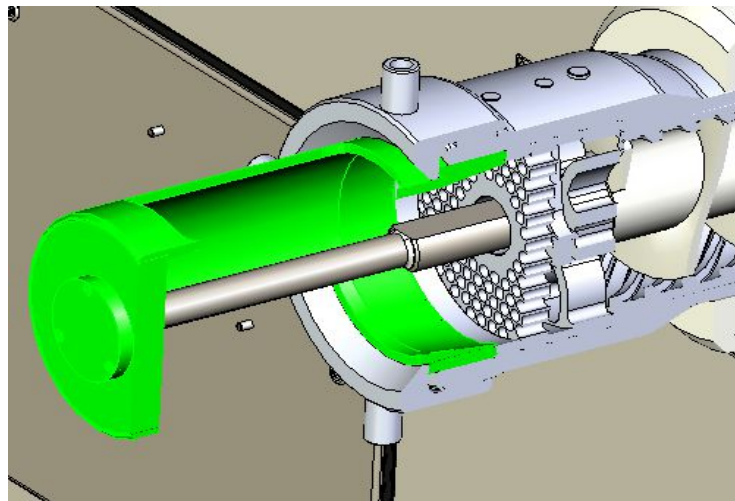


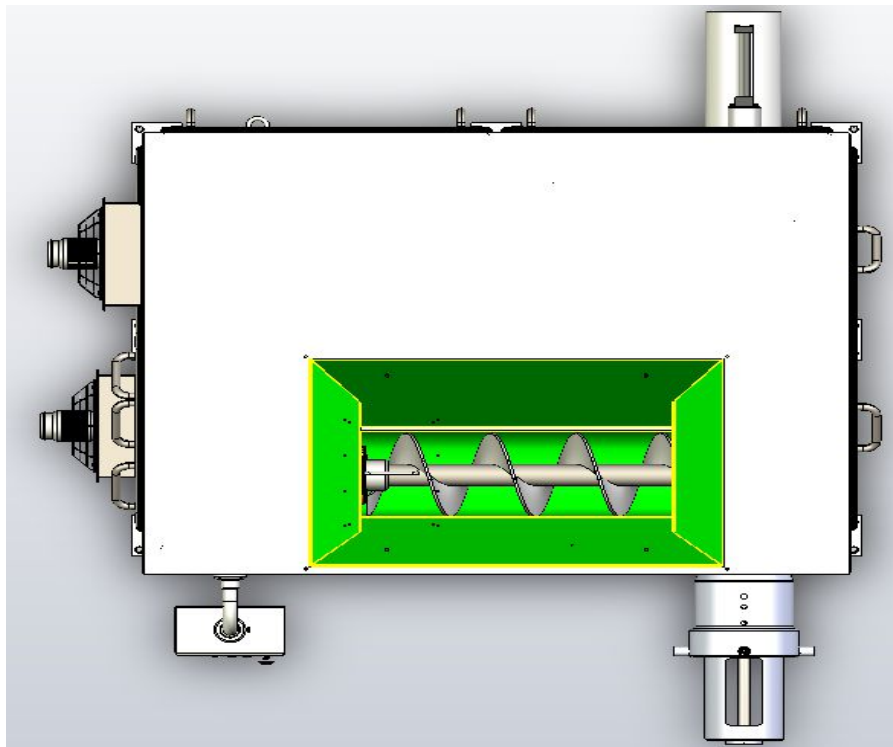
- ***Hopper with heat isolation***
- ***Oil cooling system***
- ***Automatic lubrication system***
- ***Special grade stainless steel of main worm high chemical resistance***
- ***Sensors for monitoring and controlling of production process***





- ***Surface treatment***
- ***High quality non-stick surface***
- ***Easy cleaning***
- ***Lower throughput resistance***
- ***Reduce chemical corrosion***





- ***Automatic liquid spraying system***
- ***Initial step of cleaning by maceration of SAP rests***
- ***Operating with electrical control***
- ***Save time and easier maintenance process***

