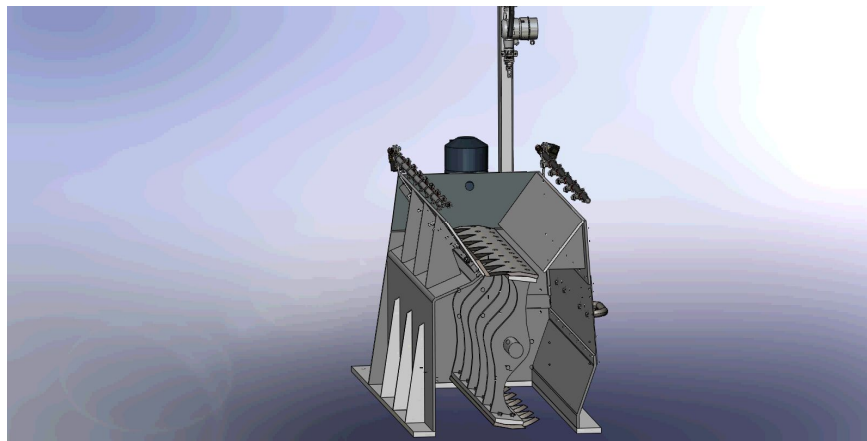
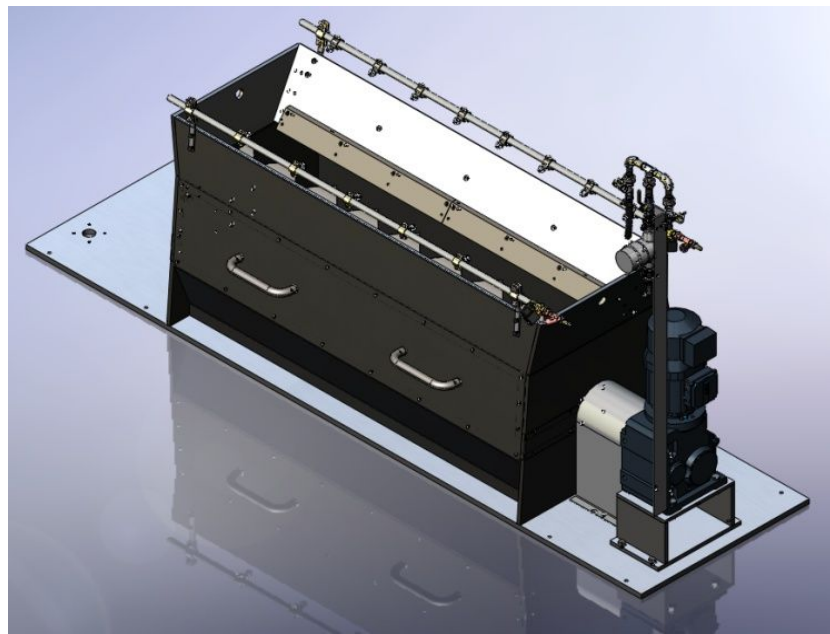
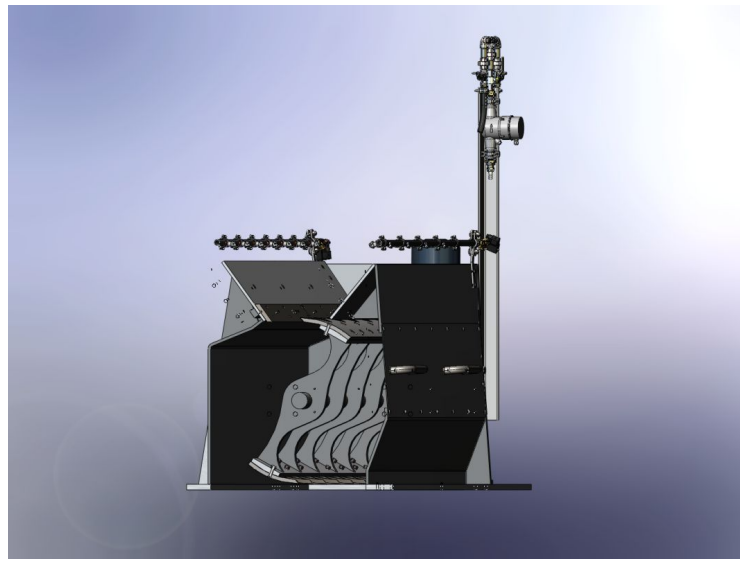


Description

SAP-Belt (or similar) KILIA PreCutter Rotary

The KILIA Pre-Cutter Rotary is a cutting unit used as an upstream pre-cutting for SAP or similar belt reactor. After pre-cutting, the size of sheet will be appr. 300 mm x 1500 mm (or more), in a rectangular-like shape. Based on the product characteristics of the material, the throughput will be up to 12,000 kg/h.





- **Special grade of stainless Steel**
- **Two knives system**
- **Zig-Zag rotary knife and a fixing knife**
- **Rotating cutting system**
- **Liquid spray for additives (if required)**
- **Operation capacity max. 12,000 kg/hr**

